

I grabbed all of the info and prices from www.cycleterminal.com as well as www.bmotorsports.com further down. Cycle Terminal has most of the connectors and may have the ECU Connectors as well. All of these connectors are numbered and correspond to the Wiring Harness (Engine) pdf. Ballenger Motorsports has a handful of connectors and come in several different ways; I've included the Kit version where you assemble and crimp the terminals yourself as well as the pigtail version that is done for you but is slightly more expensive. Explore the site if you just need the housing or such.

Again, this is a work in progress. If someone finds a mistake, please let me know so I can fix it. I found a previous error on my pdf concerning the image for the Vehicle Speed Sensor and the Back-Up Light Switch being placed incorrectly; I went ahead and edited it and will reupload the pdf.

Cycle Terminal

28. Knock Sensor

2 pin HX .090 Female Connector - with Terminals and seals

Terminals Fit wire size .6 - 1.3 mm (18-22 AWG)

Sumitomo part number 6189-0591 6918-1370 - Genuine Japan

Female HX090-1 \$4.15 each

<http://www.cycleterminal.com/hx-series.html>



6. & 13. Camshaft Position Sensor

2 pin HX .090 Female Connector - with Terminals and seals

Terminals Fit wire size .6 - 1.3 mm (18-22 AWG)

Sumitomo part number 6189-0552 6918-1260 - Genuine Japan

Female HX090-2 \$3.75 each

<http://www.cycleterminal.com/hx-series.html>



11. Vehicle Speed Sensor (VSS)

3 pin HX .090 Female Connector - with Terminals and seals

Terminals Fit wire size .6 - 1.3 mm (18-22 AWG)

Sumitomo part number 6189-0596 6918-1371 - Genuine Japan

Female HX090-3 \$4.95 each

<http://www.cycleterminal.com/hx-series.html>



20. Idle Air Control Valve

3 pin HX .090 Female IAC Connector - with Terminals and seals

Terminals Fit wire size .6 - 1.3 mm (18-22 AWG)

Female HX090-3 IAC \$7.95 each NO STOCK!! Use MT090-3E

(Supplier does not have this one in stock but does have a replacement; I figured I'd include it just to avoid any confusion on what the original looks like)

<http://www.cycleterminal.com/hx-series.html>



3 pin MT .090 - 2.3mm Female locking connector

Sumitomo p/n: 6189-0028 Japan

Comes with Terminals and seals Sumitomo p/n: 6189-0027

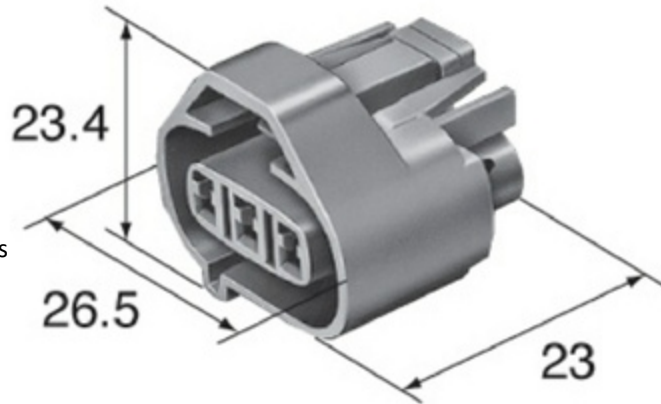
Waterproof Connector Housing with Inner Seal, and Wire Seals

Terminals Fit wire size .5 - 1.3 mm (16-22 AWG)

Applications include alternate to HX for some Honda/Acura IAC Motors

Female MT090-3E \$3.20 each

<http://www.cycleterminal.com/mt-series-090.html>



22. 30. 32. 33. Honda Fuel Injector Connectors

2 pin HX .090 Female Connector - with Terminals, seals, and retainer

Terminals Fit wire size .5 - .85 mm (18-22 AWG)

Sumitomo part number 6189-0553 - Genuine Japan

Application - Honda NH-1

Various Honda and Acura Fuel injectors

Female HX090-2 FI \$3.95 each

<http://www.cycleterminal.com/hx-series.html>



3. 4. 5. 7. Honda Ignition Coil Connector

3 pin HX .090 Female Connector - with Terminals, seals, and retainer

Terminals Fit wire size .5 - .85 mm (18-22 AWG)

Sumitomo part number 6189-0728 - Genuine - Japan

Female HX090-3 COP \$5.65 each

<http://www.cycleterminal.com/hx-series.html>



2. VTEC Oil Pressure Switch and 25. A/C Compressor Clutch

1 pin HW 090 Female connector

with Retainer, Terminals, & Seals

Terminals Fit wire size .5 - 1.3 mm (16-22 AWG)

Part numbers 6189-0386 and 6918-0698



Female Housing - Female HW 090-1 \$2.95 each

<http://www.cycleterminal.com/hw-series-090.html>

11. Back-up Light Switch

2 pin HW 090 Male & Female connector - with Retainer, Terminals, & Seals

Terminals Fit wire size .5 - 1.3 mm (16-22 AWG)

Part numbers 6189-0129, 6918-0322, 6181-0070, 6918-0323

Female Housing - Female HW 090-2 \$2.85 each

<http://www.cycleterminal.com/hw-series-090.html>



2. VTEC Oil Pressure Switch, 21. Intake Air Temperature, and 34. Engine Coolant Temperature

2 pin HW 090 VTEC Pressure switch - Knock Sensor

Coolant-Air Temp Sensor connector.

with Retainer, Terminals, Seals

Part numbers 6189-0156, , 6918-0360, 7165-0095

Terminals Fit wire size .5 - 1.3 mm (16-20 AWG)

Female Housing - Female HW 090-2 TA \$7.65 each

<http://www.cycleterminal.com/hw-series-090.html>



31. Crankshaft Position Sensor

3 pin HW - .090 Female connector - with Retainer, Terminals, and Seals

Terminals Fit wire size .5 - 1.3 mm (16-22 AWG)

Part numbers 6918-0130 & 6918-0324

Female Housing - Female HW 090-3B \$3.35 each

<http://www.cycleterminal.com/hw-series-090.html>



24. MAP Sensor, 29. Throttle Position Sensor

3 pin HW - .090 Female Connector - with Retainer, Terminals, and Seals

Terminals Fit wire size .5 - 1.3 mm (16-22 AWG)

Female Housing - Female HW 090-3C \$4.25 each

<http://www.cycleterminal.com/hw-series-090.html>



10. Secondary Heated Oxygen Sensor

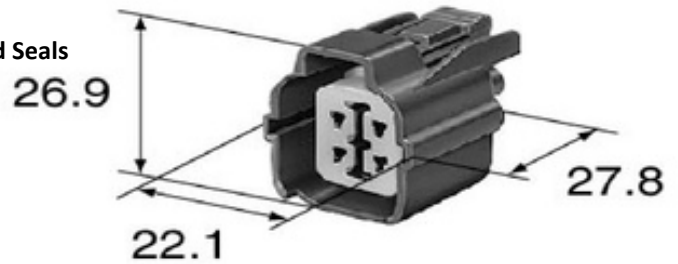
4 pin HW - .090 Female Connector - with Retainer, Terminals, and Seals

Terminals Fit wire size .5 - 1.3 mm (16-22 AWG)

Part numbers 6189-0132 & 6918-0328

Female Housing - Female HW 090-4 \$4.55 each

<http://www.cycleterminal.com/hw-series-090.html>



9. Primary Heated Oxygen Sensor

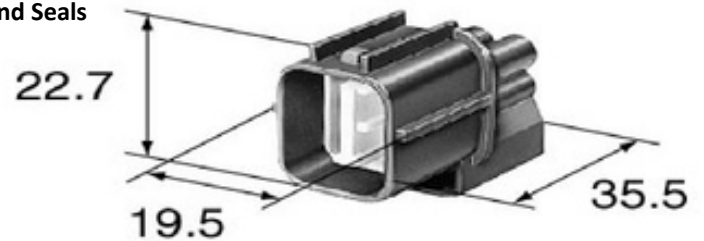
4 pin HW - .090 Male Connector - with Retainer, Terminals, and Seals

Terminals Fit wire size .5 - 1.3 mm (16-22 AWG)

Part numbers 6181-0073 & 6918-0329

Male Housing - Female HW 090-4 \$4.65 each

<http://www.cycleterminal.com/hw-series-090.html>



26. Alternator

4 pin Denso-Honda-Toyota 090 Sealed

Alternator Voltage Regulator Connector

Terminals Fit wire sizes from .5mm - 1.25mm (16 - 20 AWG)

Comes complete with seals and terminals for 16-20-gauge wire

This one listed is in the TS090 Sealed Series

The Original with the blue lock is in the HX090 Sealed Series

4-pin 090 Denso Alt \$5.75 each No stock, No Date!!

<http://www.cycleterminal.com/alternator-connectors.html>



[Ballenger Motorsports](#)

22. 30. 32. 33. Honda Fuel Injector Connectors

2 Way Honda Injector Connector Kit

\$4.99 https://www.bmotorsports.com/shop/product_info.php/products_id/2195



2 Way Honda Injector Connector Pigtail

\$6.99 https://www.bmotorsports.com/shop/product_info.php/products_id/2196



11. Back-Up Light Switch

2 Way HW Plug Connector Kit - \$7.49

https://www.bmotorsports.com/shop/product_info.php/products_id/4399?osCsid=cp74tv921tj4be8sue2gvqtgn6



2 Way HW Plug Connector Pigtail - \$8.49

https://www.bmotorsports.com/shop/product_info.php/products_id/4400?osCsid=cp74tv921tj4be8sue2gvqtgn6



3. 4. 5. 7. Honda Ignition Coil Connector

3-way Honda Pencil Coil (COP) Connector kit - \$8.29

https://www.bmotorsports.com/shop/product_info.php/products_id/2254?osCsid=cp74tv921tj4be8sue2gvqtgn6



3 way Honda Pencil Coil (COP) Connector Pigtail - \$10.49

https://www.bmotorsports.com/shop/product_info.php/products_id/2255?osCsid=cp74tv921tj4be8sue2gvqtgn6



24. MAP Sensor, 29. Throttle Position Sensor

3 Way HW Honda & Acura MAP & TPS Sensor Connector Kit - \$ 10.99

https://www.bmotorsports.com/shop/product_info.php/products_id/4405?osCsid=cp74tv921tj4be8sue2gvqtgn6



3 Way HW Honda & Acura MAP & TPS Sensor Connector Pigtail - \$ 11.99

https://www.bmotorsports.com/shop/product_info.php/products_id/4406?osCsid=cp74tv921tj4be8sue2gvqtgn6

