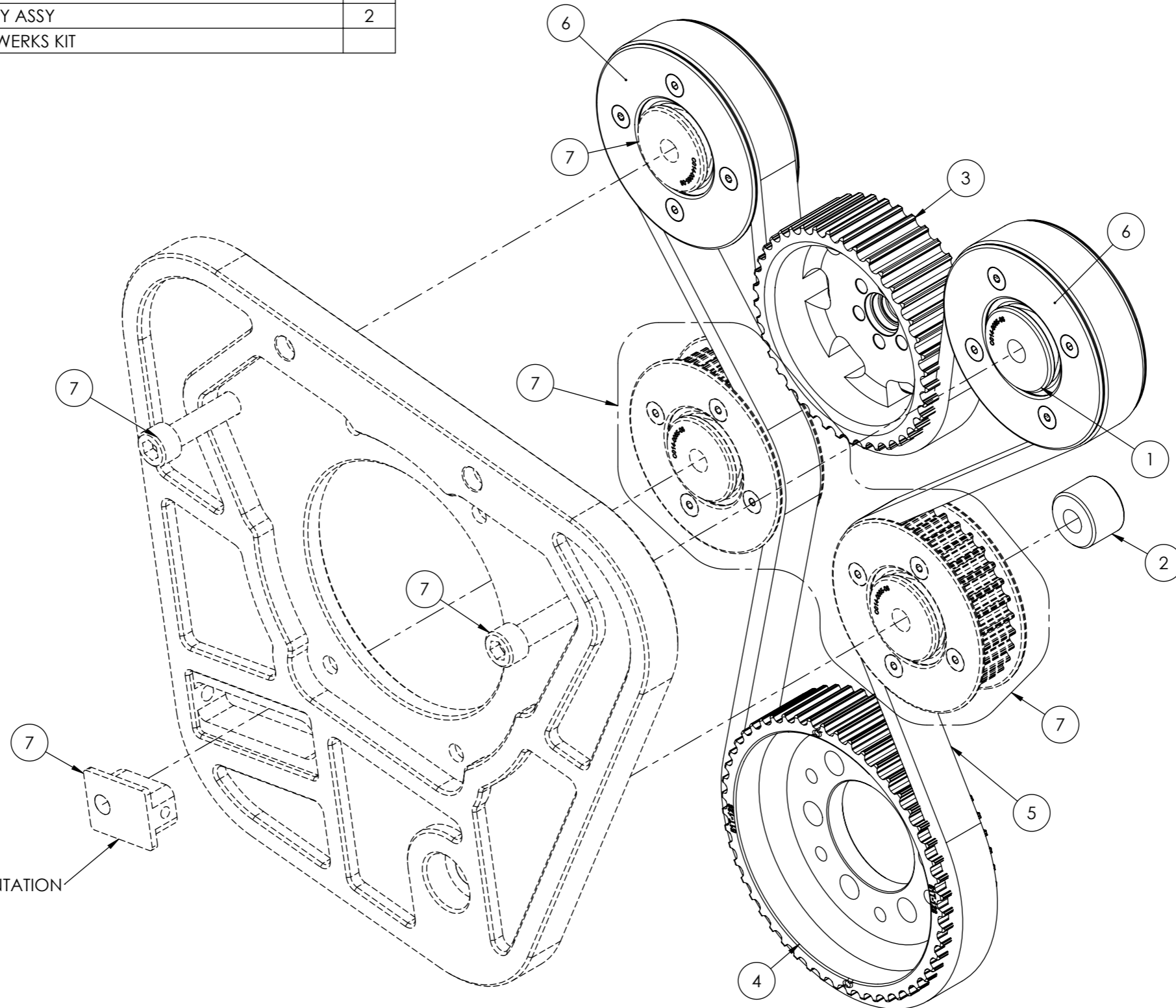


| ITEM NO. | PART NUMBER   | QTY. |
|----------|---|------|
| 1        | C014-0065-06 - SPACER, 38MM OD X 10MM ID X 21.35MM                | 1    |
| 2        | C014-0102-04 - SPACER, 25MM OD X 18.25MM LONG                     | 1    |
| 3        | C092-0025-04 - PULLEY, ROTREX, 100MM, 25MM WIDTH, 40 TEETH, HTD 8 | 1    |
| 4        | C092-0080-04 - CRANK PULLEY, 128MM , 31MM WIDTH, 51 TEETH, GT2    | 1    |
| 5        | C119-1440-09 - BELT, GT2, 1440MM, 20MM WIDTH                      | 1    |
| 6        | 82MM OD COGGED IDLER PULLEY ASSY                                  | 2    |
| 7        | RE-USE HARDWARE FROM KRAFTWERKS KIT                               |      |



MUST BE INSTALLED TO THIS ORIENTATION